

- Realtek RTD1195 chipset
- ARM architecture
- 2D/3D accelerators, OpenGL support
- OS Android 4.4
- Peer-to-peer
- Application store
- Support of widely used middleware
- Android API, SDK
- Java Script API, SDK
- 4Kp30 decoding
- Wi-Fi 802.11a/b/g/n/ac¹
- Access point mode



The Eltex NV IPTV set-top box on Android provides services on a new level. It is a perfect tool for promotion of IPTV services and acquisition of new customers.

Android Platform

Android serves as a single universal platform to provide access to services and functions with a familiar interface such as AndroidTV.

Creation of a Customised Application Store

The open platform and development tools (SDK, API) provide quick creation of new operator services.

Advantages of the Hardware

A dual core Realtek processor supports a wide range of video and audio formats.

Advanced Wi-Fi Technologies¹

NV-501-Wac supports up-to-date Wi-Fi standards: 802.11a/b/g/n/ac and implements stable real-time traffic transmission.

The support for Wi-Fi Client ensures NV-501-Wac connection to an external network via a wireless channel.

Peer-to-Peer TV

An additional option of content delivery is available: multimedia file streaming to STB via DC++ and Torrent protocols. Without PC and files download to a local disk, it is available to add an illustrated page (catalogue) for media content.

Basic Services

- Full HD IPTV
- OTT
- VoD
- Media Player (files playback from external device and local network).
- Program schedule (EPG)
- Cloud services support
- Online resources: Youtube, Internet radio, etc.
- Store for provider's applications
- HLS
- Peer2Peer TV (video streaming via DC++, Torrent)

¹ Only for NV-501-Wac

Features and capabilities

Hardware advantages

- Realtek RTD1195 chipset
- ARM architecture
- More than 4 000 DMIPS
- 1 GB RAM
- 4 GB Flash
- 2D/3D accelerators, OpenGL
- OS Android 4.4
- 4Kp30 decoding

General

- HLS
- DRM: A.R.E.S. DRM, Verimatrix
- Full HD, 1080p, 4Kp30
- Multilinguality
- Remote controller, an opportunity to connect computer mouse or keyboard
- Programmable remote controller: Android-application
- AV output

Interfaces

- 1 x LAN 10/100/1000
- 2 x USB 2.0
- HDMI 1v4
- microSD Card Reader
- Port for external receiver
- AV output

Video

- Screen resolution: Full HD 1080p, HD 720p
- Video formats MPEG1, MPEG(+HD), MPEG4(+HD), XviD, DivX, H.264, Wm9, AVCHD, Vc1, HEVC

Audio

- 44.1, 48, 96 kHz

Network

- Protocols: IP, HTTP, DHCP, NTP, IGMP (multicast), ICMP, UDP, RTP, RTSP, PPPoE, DLNA, SAMBA, Bit-torrent

Service

- Provider-oriented application store, Android applications, Google Play
- Software update via provider-oriented application store

Wireless network

- Dual band Wi-Fi IEEE 802.11 b/g/n/ac, 2.4/5 GHz
- Integrated antenna

Physical characteristics

- Dimensions (LxWxH), mm: 100x89x18
- Horizontal placement, wall mounting
- Material: plastic

Power supply characteristics

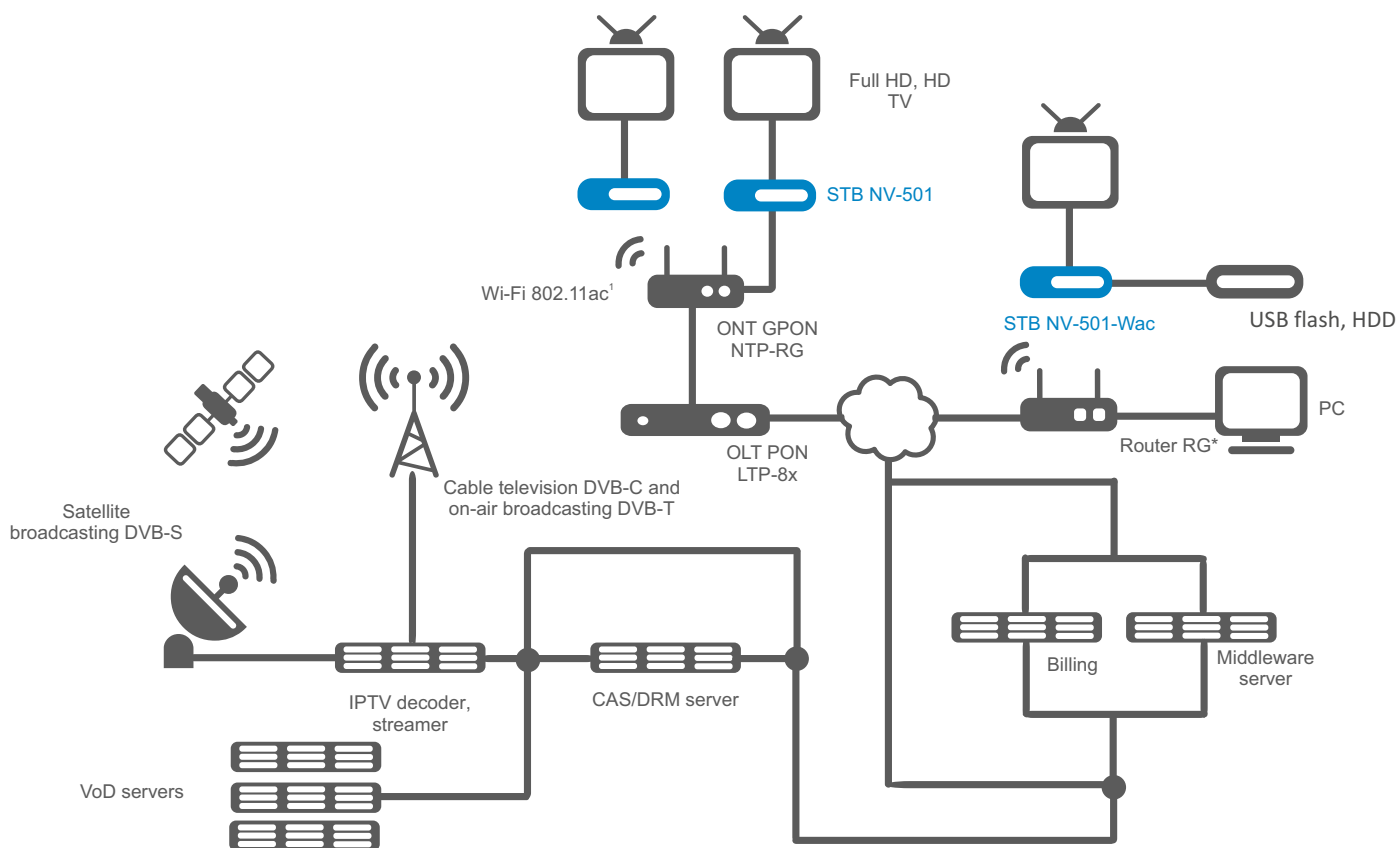
- Adapter: 5.2V DC, 2.5A

Supply package


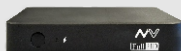
- IPTV Set-Top-Box NV-501 or NV-501-Wac
- Power supply
- Remote controller
- 2 AAA batteries
- HDMI cable
- Patch cord RJ-45
- Quick user manual




Scheme of using



Ordering information

Name	Description	Image
NV-501	Full HD Set-Top box and mediaplayer, Realtek RTD1195, 1 Gb RAM, Android 4.4, 1xLAN 10/100/1000, 2xUSB 2.0, HDMI 1.4	
NV-501-Wac	Full HD Set-Top box and mediaplayer, Realtek RTD1195, 1 Gb RAM, Android 4.4, 1xLAN 10/100/1000, 2xUSB 2.0, HDMI 1.4, Wi-Fi 802.11 a/b/g/n/ac	

Additional options

Universal remote controller	Programmable remote controller provides TV and STB management	
-----------------------------	---	---

Contact us

+7 (383) 274 10 01
+7 (383) 274 48 48

 eltex@eltex-co.ru

 www.eltex-co.ru

About Company

Eltex company - is leading Russian developer and manufacturer of telecommunications equipment with 25 years of history. Integrity of solutions and seamless integration capability into Customer infrastructure is priority area of company development.